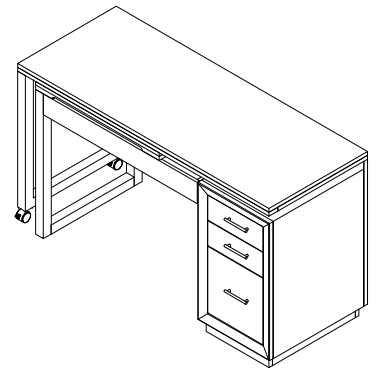


Warning :

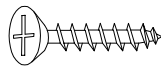
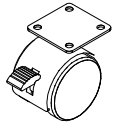
- Be sure to check all packing material carefully for small parts, which may have come loose inside the carton during shipment.
- To prevent possible scratches and damage, this furniture must be assembled on a soft surface such as a blanket or carpet.



Components and Hardware List

Caster

4"x 20mm Screw



H1

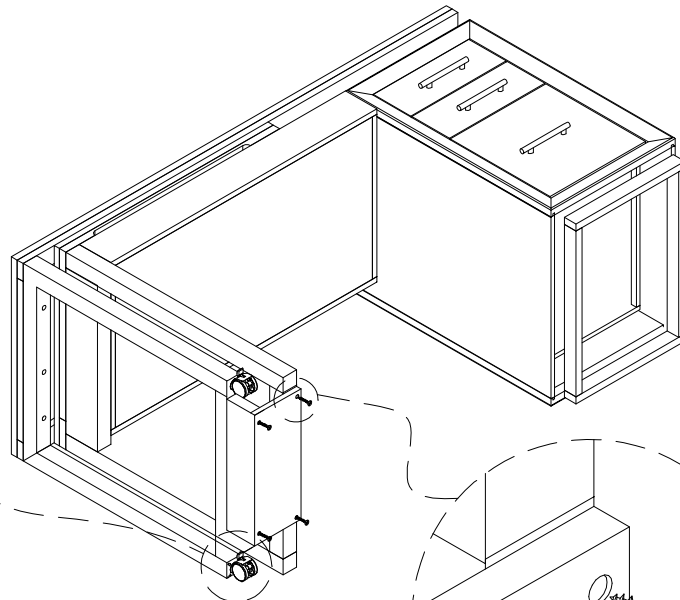
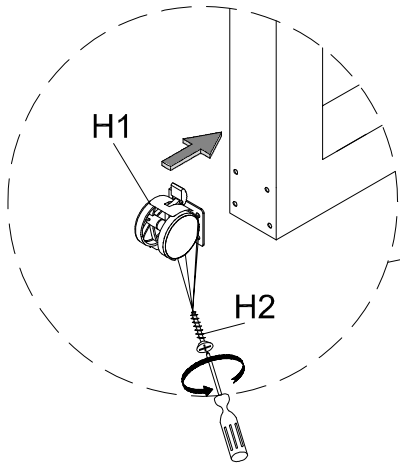
2 pcs.

H2

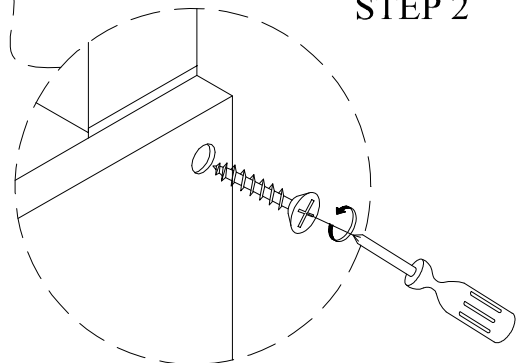
8 pcs.

39632
Swivel Lift-Top L Desk

STEP 1

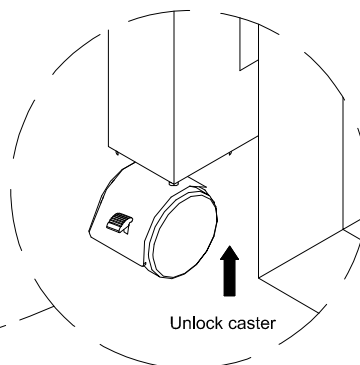
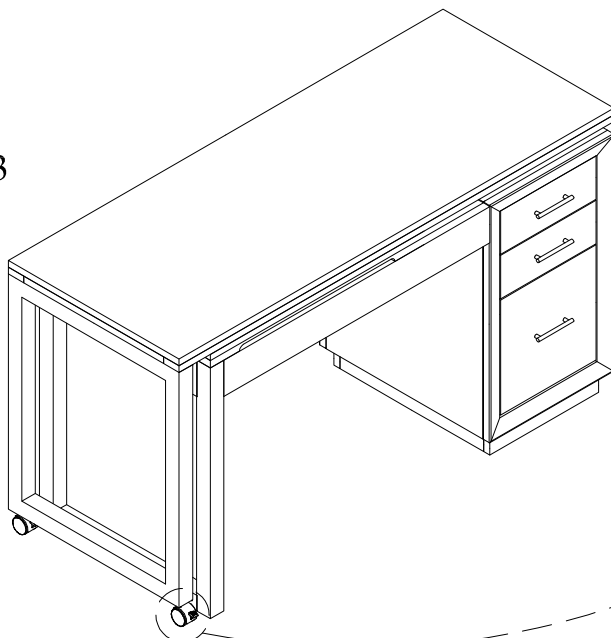


STEP 2

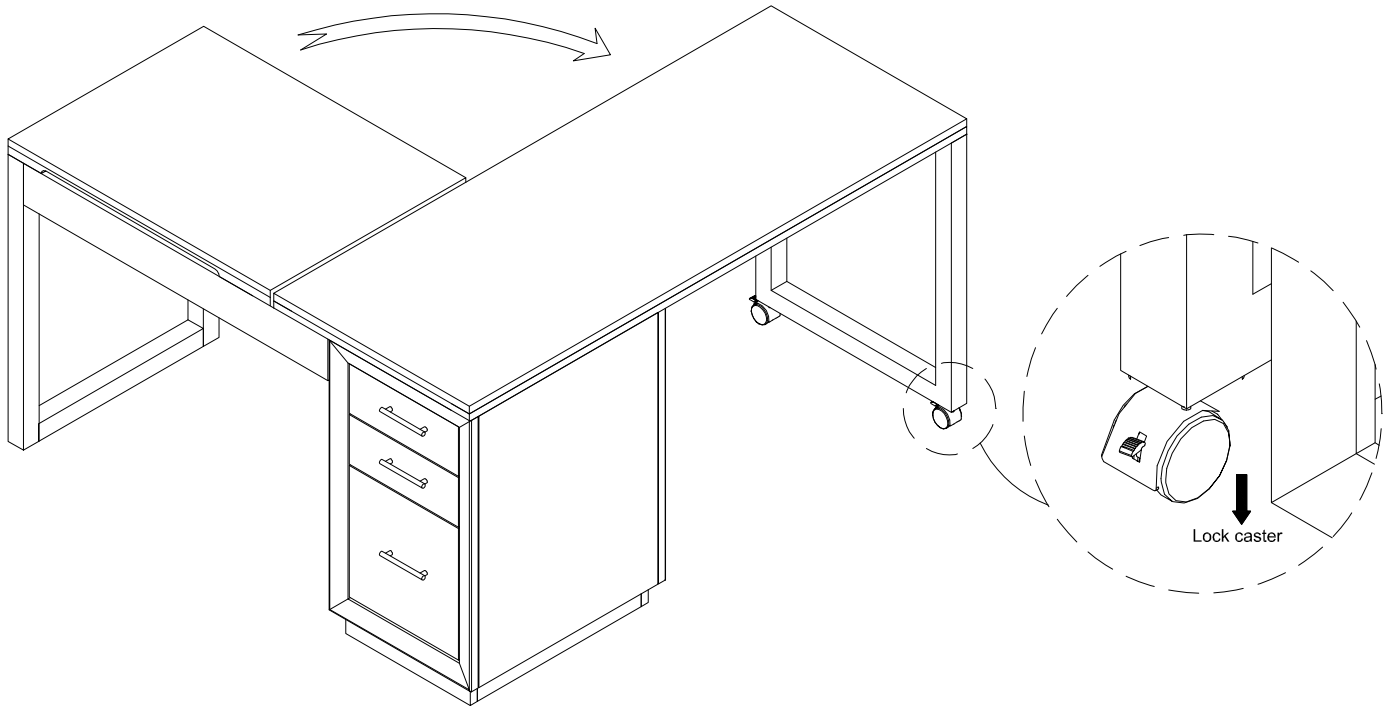


Remove shipping brace by removing screws as shown

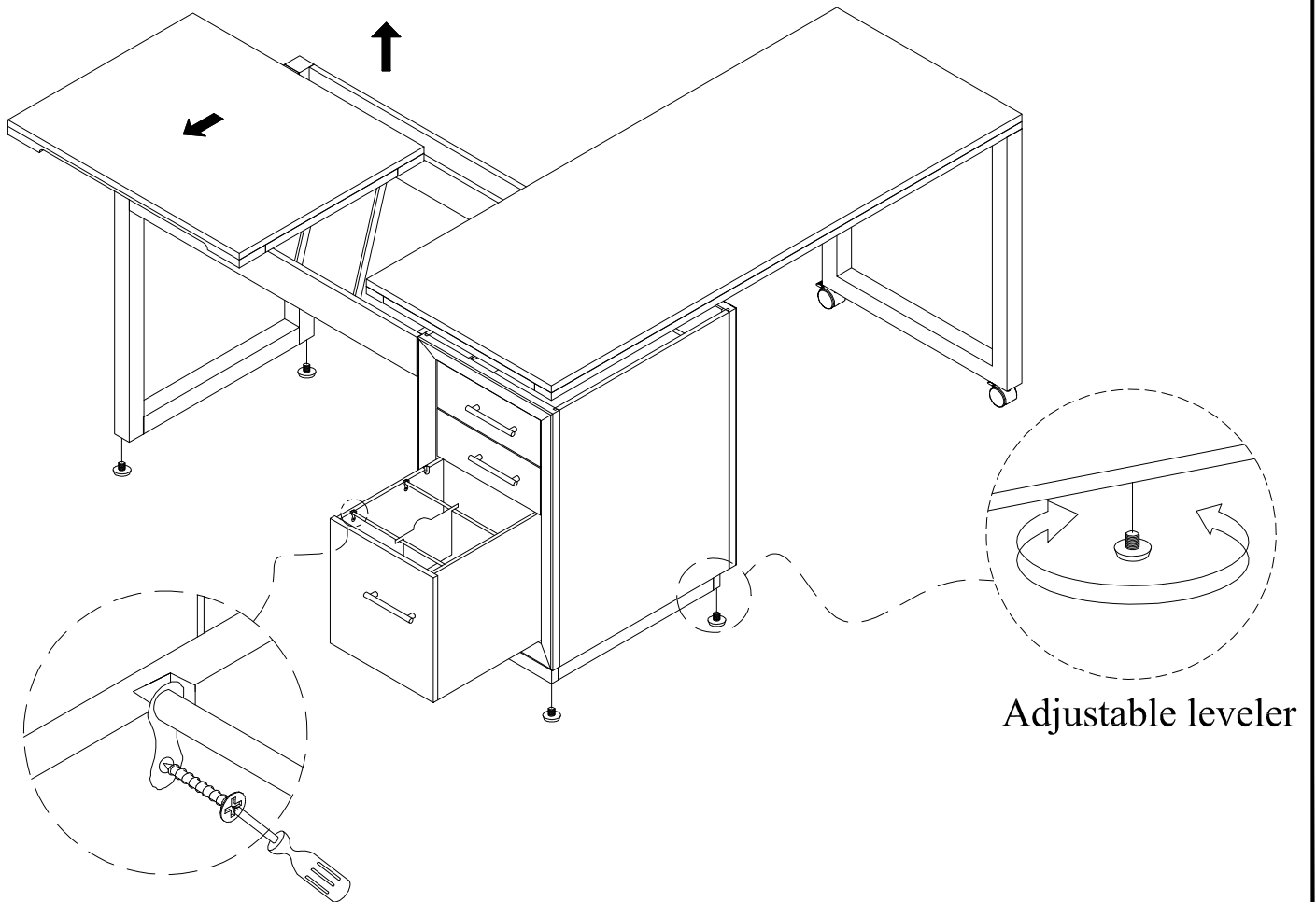
STEP 3



STEP 4



STEP 5



Unscrew to adjust the file rod